



Bestobell

Cryogenic Valves

Cryogenic St/less Steel Manifold Fill Assemblies

DN25 - DN40

Description

The Bestobell cryogenic main fill valve manifold is specifically designed for cryogenic static storage tanks to replace the traditional gang of valves linked together with piping and a large amount of welding and brazing.

It is the joining together of four valves: top fill, bottom fill, check valve and drain valve. It is available in two sizes 25mm (1") and 40mm (1 1/2").

The design makes it a simple valve to operate from the user perspective, with the longer extended stem for top filling and the shorter extended stem for bottom filling. The valve has a Mueller connection flange and strainers to prevent debris entering the system.

Located within the valve is a spring to close the check valve to prevent back wash of media at the end of the filling cycle. A drain valve is fitted to release any trapped media in the fill block. A warm-up leg is also included for the connection of a thermal relief valve.

The unit is supplied ready to be fitted to the tank, with pipe specifications supplied by the customer. All Bestobell products are manufactured and cleaned for oxygen service.



Maximum Working Pressure (MWP)

(Subject to End Connections)

Up to 50 Bar (725 psi) at -196°C to +65°C (extended spindle)

Body strength test 1.5 x MWP

Features

- A one piece body reduces the number of potential leak paths and simplifies the piping system
- The unique internal characteristics reduces the pressure drop and vessel filling time
- Complete valve assembly reduces the tank build time
- Check valve for additional safety
- Self-draining strainer prevents debris entering the system
- Bolted bonnet headworks allow for easy maintenance

Technical

Manual operated inside screw globe valves size range DN6, DN25 and DN40.

Designed and engineered for use with O₂, N₂, Ar, CO₂, He, Kr, Ne, H₂, C₂H₄ and N₂O service.

ISO 9001 accreditation – designed and manufactured to ASTM B31.1 and BSEN 1626.

Optional full material traceability backed by BSEN 102043.1/3.2 certification.

Available with copper stubs as an alternative to bronze.

Also available with alternative dimension "A".

CE Marking according to Pressure Equipment Directive 97/23/EC.

For other options please contact us.

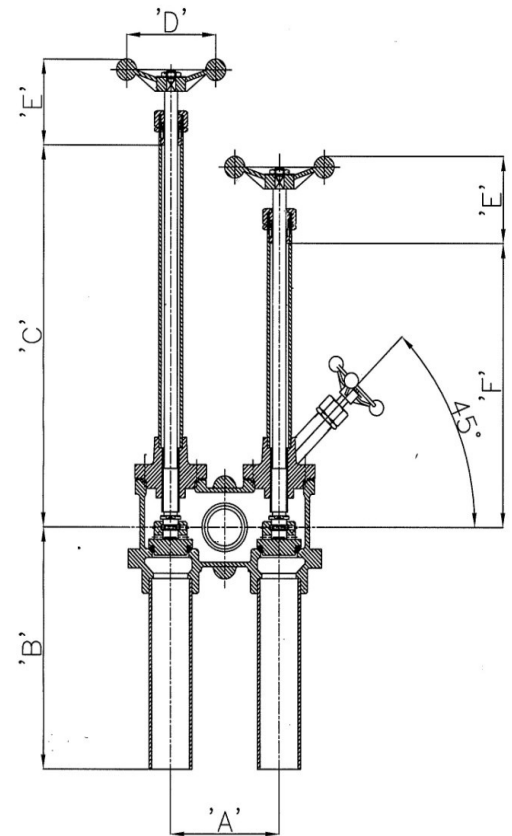


Cryogenic Bronze Manifold Fill Assemblies

DN25 - DN40

Materials

Body	ASTM A3S1 CF8M
Bonnet	SS BSEN 10088-3 1.4401
Tube, Extension	ASTM A312 TP 304L
Stem	ASTM A276 316
Handwheel	Aluminium
Disc	BSEN 12164 CW 721R
Bronze Insert	BSEN 12163 CW 451K
Seal	PTFE
Gasket Bonnet	SIGMA 511
Gland Packaging	PTFE
Fasteners	BS6105 A4 Gr.80



Specifications

Size	25	40
Part No	CTB50PYDA6CCQ	CTB70PUDA6CCQ
A (mm)	110	120
B (mm)	248	248
C (mm)	400	400
D (mm)	101	121
E (mm)	75	80
F (mm)	300	300
G (mm)	1" NB SCH.10	1 1/2" NB SCH.10
H (mm)	89	112
J (mm)	111	156
Cv US GPM	13.2	26.5
Weight	12.5 Kg	15 Kg

All dimensions / weights are approximate